

Adroit 407HT

4x4 Double Cabin Concrete Transmixer

407



Adroit 407HT is designed as a double cabin concrete mixer. Both cabins in the front and rear sections have driving and control features. In places where it is not possible to maneuver, it ensures that the concrete delivery continues without stopping by the operator and continuing to drive by moving to the other cabin. It saves time and reduces operating costs by distributing concrete between application areas, especially in construction sites with more than one concrete application.

It has four - wheel drive and four - wheel steering, mobility capabilities. It is an ideal choice for areas that require high speed work and construction sites with difficult ground conditions.

GENERAL SPECIFICATIONS

- > Reversing audible and visual warning system
- > Handheld fire extinguisher
- > Rear view camera
- > Eyebolts and towing hooks to use in loading and transporting the machine

DIMENSIONS AND WEIGHT

- > Length 7500 mm
- > Width 2500 mm
- > Height 3330 mm
- > Weight 8000 kg

CONCRETE DRUM

- > Double-cone drum with double-spiral mixing screws
- > Geometrical drum volume: 10.8 m³
- > Carrying capacity: 6.75 m³
- > Hydraulically driven and adjustable rotating speed
- > Adjustable drum discharge height
- > Hydraulically actuated ecological cover

OPERATOR CABIN

- > FOPS - ROPS level 2 certified closed operator cabin (Only on front side)
- > Tempered glasses
- > Suspended and 180° pivoting seat
- > Retractable lap seat belts

ENGINE

- > Perkins 1104D - 44T 74.5 kW@2200 rpm
Diesel engine EU Stage 3A

TRANSMISSION

- > Hydrostatic system : Dana 357 dropbox
- > 4 speed forward and 4 speed reverse
- > 4 wheel drive

AXLE SYSTEM

- > Planetary type Dana 212
- > Oscillating rear axle ±8°

TIRES

- > 16 / 70 - 20 size heavy duty tires, suitable for underground work

PERFORMANCE

- > Max. speed 20 km/h
- > Max. climb gradient 25%

BRAKE SYSTEM

- > Service brake: Hydraulically powered two circuit oil immersed multidisc brake in both axles
- > Parking brake: S.A.H.R fail safe brake
- > Brake systems test set-up in cabin

STEERING

- > Four wheel steering, crab steering, front wheel steering

FUEL SYSTEM

- > Tank capacity 130 L
- > Fuel hose securely fixed and isolated from the hot surfaces

HYDRAULIC SYSTEM

- > Tank capacity 100 L
- > Hydraulic filtration, fluid temperature and tank fluid level sensing and warning system

HIGH PRESSURE WATER WASHER

- > Water pump 14 L/min.
- > Max. water pressure 200 bar
- > Hose length 10 m
- > Tank capacity 500 L

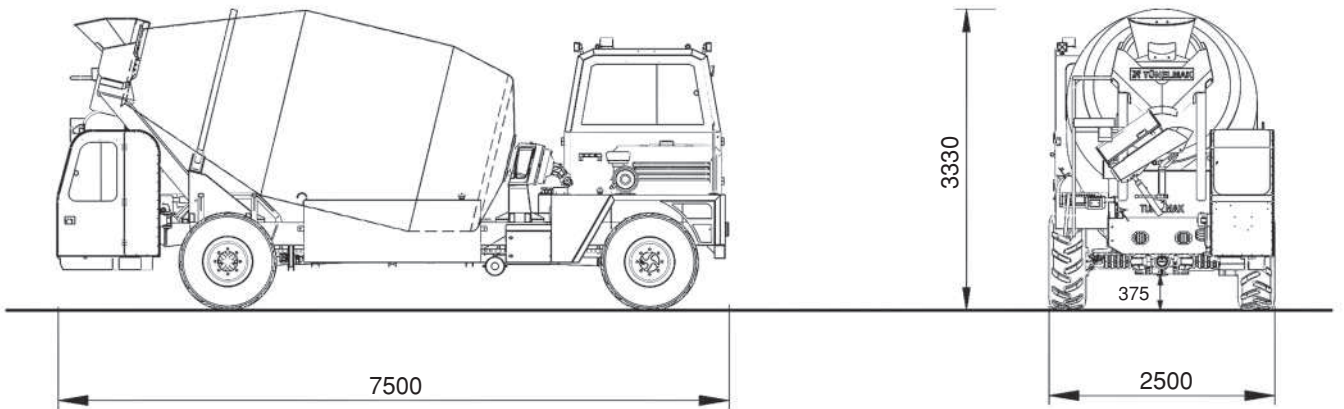
24VDC ELECTRICAL SYSTEM

- > Electrical components : IP65 and above protection grade
- > Battery 2 x 135 Ah
- > Led lighting lamps illuminating the movement direction
- > Led flashing beacon in amber colour

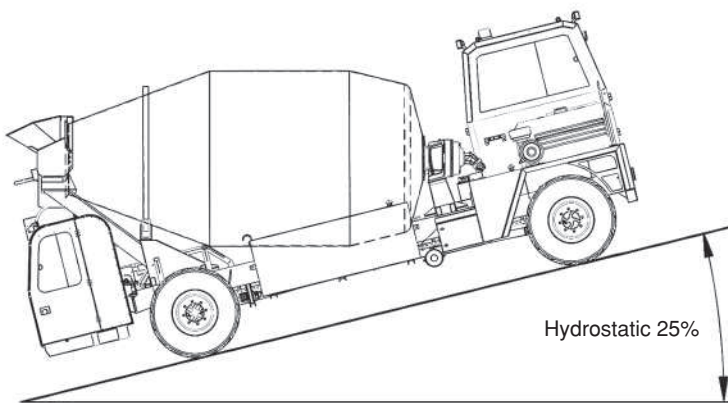
OPTIONAL COMPONENTS

- > EU Stage 5 diesel engine
- > Perkins 904J - E36TA 74,5 kW@2200 rpm
- > Diesel engine fire suppression system
- > Catalytic converter with diesel particle filter
- > Form oil system
- > Air conditioner inside the cabin
- > Heated glasses and side-view mirrors
- > Unit can be produced with different capacities.

Adroit 407HT 4x4 Double Cabin Concrete Transmixer
Dimensions of Vehicle



Climbing Capacity

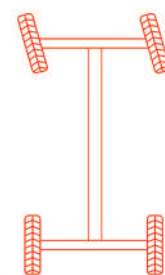
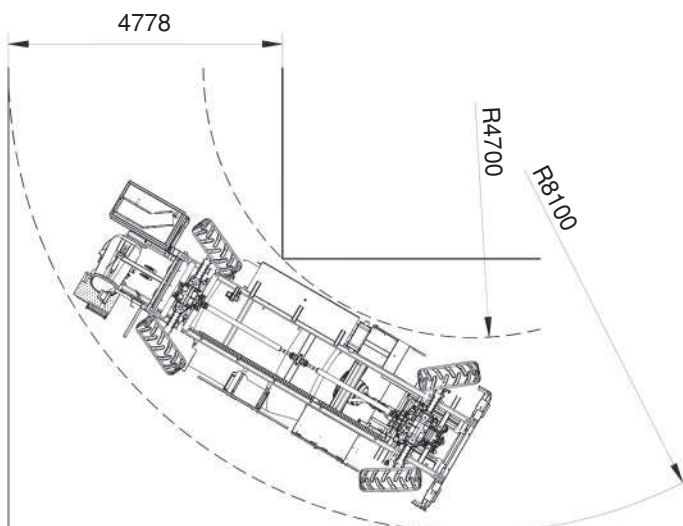


Max. Speed - Max. Power of Climbing

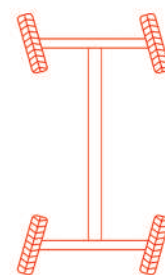
Adroit with 4x4 hydrostatic system ensures reliable performance on challenging terrain and 25% gradient climbing.

Rear axle oscillates $\pm 8^\circ$ and able to move on rough terrain conveniently.

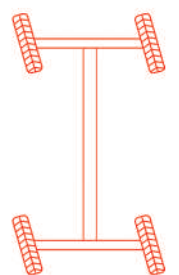
Turning Radius



Front Wheel Control



Four Wheel Steering



Crab Steering