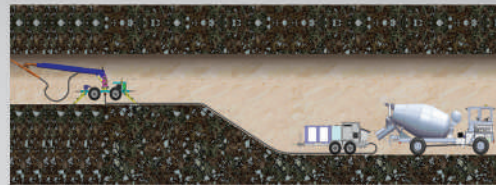


Adroit 412

Shotcrete Distributor



Adroit 412 is designed to perform wet and dry shotcrete application fast and efficiently on rough terrains, at shaft applications, in stairs tunnels and the parts of underground mines that are difficult to access and on highly inclined slopes where truck-mounted, 4x4 robot and stationary shotcrete pumps and concrete mixers cannot reach. Also, it is an ideal solution for ground applications and earthquake retrofitting works. Adroit 412 can make 360° shotcreting, up to 16 m diameter shaft applications. Thanks to its towing crane with rope, it can be easily positioned on the application sites where other vehicles cannot reach. The shotcrete that is conveyed to Adroit 412 through concrete pipe line and by Adroit shotcrete pumps can be easily applied by means of a cable / radio remote control. Adroit 412 is fully equipped with tower turning system, telescopic boom, nozzle rotation group, radio remote control system, accelerator tank and pump, mechanical handbrake and hydraulic stabilizer cylinders. It's compatible with shotcrete and concrete pumps of any brand up to 30 m³.

GENERAL SPECIFICATIONS

- > Telescopic boom system capable of moving round by 360° and vertically by 55°
- > Nozzle rotation group capable of moving round by 360° and vertically by 90°
- > Cable remote control
- > Stabilizer cylinder and valve group
- > Eyebolts and towing hooks to use in loading and transporting the machine
- > Hydraulic oil cooler

DIMENSIONS AND WEIGHT

- > Length 4300 mm
- > Width 2200 mm
- > Height 2300 mm
- > Weight 1600 kg

TIRES

- > 7,50 - 16

ACCELERATOR SYSTEM

- > Electrically driven accelerator peristaltic pump
- > Dosing rate : max. 0 to 20 L/min.
- > Pumping pressure : max. 15 bar
- > Accelerator tank : 300 L
- > Dosing rate can be controlled manually

HYDRAULIC SYSTEM

- > Tank capacity 50 L
- > Hydraulic filtration, fluid temperature and tank fluid level sensing and warning system

BRAKE SYSTEM

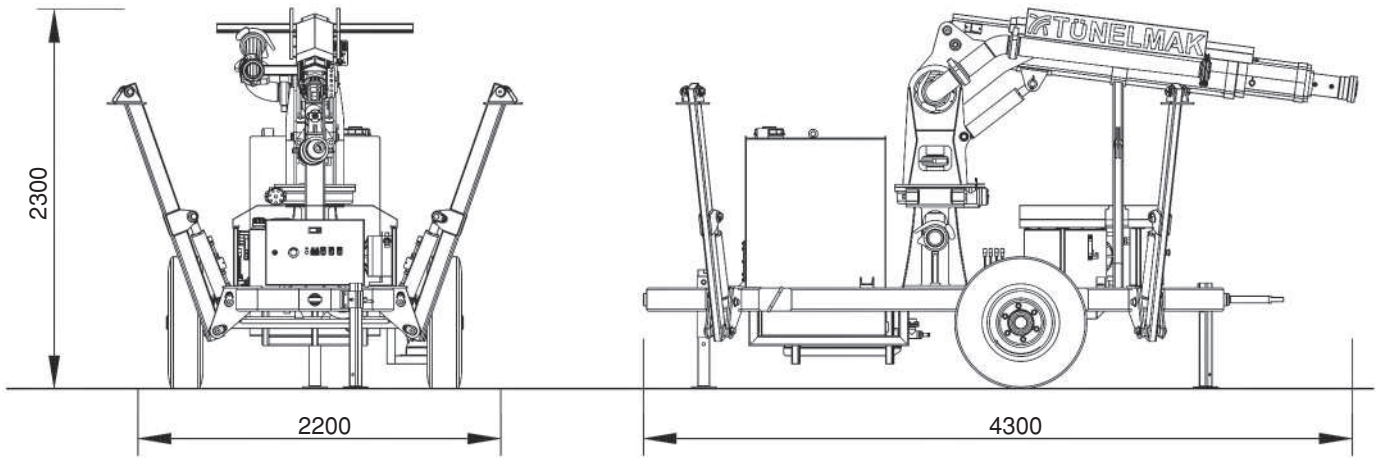
- > Mechanical handbrake

HIGH VOLTAGE ELECTRICAL SYSTEM

- > Waterproof control panel
- > Power pack : 7,5 kW electrical motor

OPTIONAL COMPONENTS

- > Towing winch with 50 m rope
- > Radio remote control



Operation Diagram

