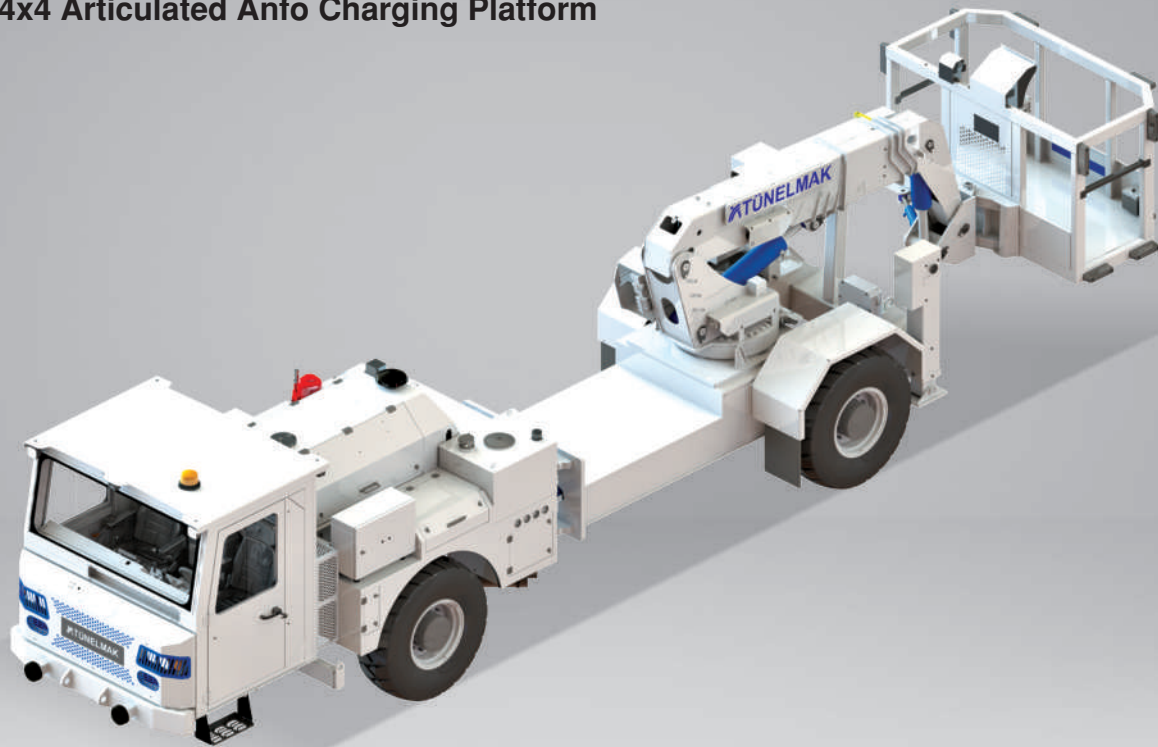


Adroit 541AW

4x4 Articulated Anfo Charging Platform



ADROIT 541AW articulated ANFO charging platform is designed for use in underground mining and tunnel applications, featuring an approximate scanning area of 65 m² and a maximum 8.4 m mirror height.

All equipments and raw material needed for ANFO charging application can be placed on its platform. It offers perfect maneuverability and 6.000 kg carrying capacity with its 129 kW diesel engine and powershift drive system.

GENERAL SPECIFICATIONS

- > Led control panel showing fault, warning and driving info
- > Cameras and recording system
- > Overload sensing and warning system
- > All safety cylinders, including basket and boom system, have locking valves
- > Payload and stabilization diagrams inside the basket and cabin
- > Reversing audible and visual warning system
- > Handheld fire extinguisher
- > 12VDC output inside the cabin for vehicle radio
- > Eyebolts and towing hooks to use in loading and transporting the machine
- > Stabilizer cylinder

DIMENSIONS AND WEIGHT

- | | |
|-----------------------|----------|
| > Length | 10500 mm |
| > Width | 2150 mm |
| > Height | 2400 mm |
| > Weight | 15500 kg |
| > Fully loaded weight | 21500 kg |

SERVICE BASKET

- > Complies with EN280 standards
- > Basket sizes 1.2 m x 2 m
- > Basket door opens to inside, it can not be moved unless the door is closed. The machine stops if the door is opened while moving
- > The machine gives off audible and visual warning when the door is open.
- > The basket has lifting capacity of 1000 kg + 2 persons when boom fully closed and 300 kg + 2 persons when boom extended fully.
- > It has a powerpack system to lower the basket in case of malfunction.
- > Grate floor
- > Basket and boom movements can be controlled both from the chassis and inside the basket.
- > Intercom communication system between the basket and the operator cabin.
- > Grab bars and security belt connection hooks inside the basket.
- > Boom movement / right - left -30° +30°
- > Boom movement / down - up -15° +60°
- > Max. lifting height (basket floor) 6.4 m
- > Max. vertical reach 7.75 m

CHARGING SYSTEM

- > Central platform dimensions 1100 x 2150 x 1600 mm
- > 6000 kg max. load for charging unit

OPERATOR CABIN

- > FOPS - ROPS level 2 certified closed operator cabin
- > Air conditioner inside the cabin
- > Laminated and tempered glasses
- > Heated glasses and side-view mirrors.
- > Washable cabin upholstery
- > 3 points contacted, non-slippery stairs
- > Emergency stop button inside the cabin
- > Operator seat
 - Suspended
 - Retractable seat belt
 - Sensor that activates the park brakes when the operator stand up

ENGINE

- > Deutz TCD 2013 L04 2V 129 kW@2300 rpm Diesel engine (Euro Stage 3)
- > Engine / radiator fluid level warning

EXHAUST SYSTEM

- > Catalytic converter with diesel particle filter

TRANSMISSION

- > Powershift automatic transmission : Dana 24000 series
- > 3 speed forward and 3 speed reverse
- > 4 wheel drive

AXLE SYSTEM

- > Planetary type Dana 123
- > Oscillating front axle $\pm 8^\circ$

TIRES

- > 14.50 - 20 size heavy duty tires, suitable for underground work

PERFORMANCE

- > 1st gear : 6 km/h
- > 2nd gear : 12 km/h
- > 3rd gear : 25 km/h
- > Max. climb gradient 40%

BRAKE SYSTEM

- > Service brake: Hydraulically powered two circuit oil immersed multidisc brake in both axles
- > Parking brake: S.A.H.R fail safe brake.
- > Brake systems test set-up in cabin.
- > Handbrake system on cardan shaft

FUEL SYSTEM

- > Tank capacity 140 L
- > Fuel hose securely fixed and isolated from the hot surfaces

HYDRAULIC SYSTEM

- > Tank capacity 135 L
- > Hydraulic filtration, fluid temperature and tank fluid level sensing and warning system
- > Central pressure control point for system pressure measurement

24VDC ELECTRICAL SYSTEM

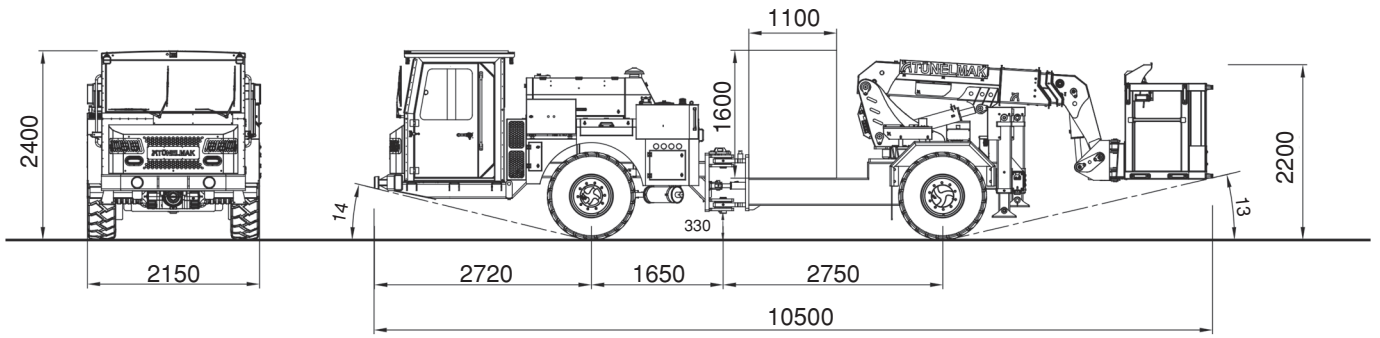
- > Electrical components : IP65 and above protection grade
- > Battery 2 x 135 Ah
- > Led lighting lamps illuminating the movement direction
- > Led flashing beacon in amber colour
- > Fire - resistant wiring

OPTIONAL COMPONENTS

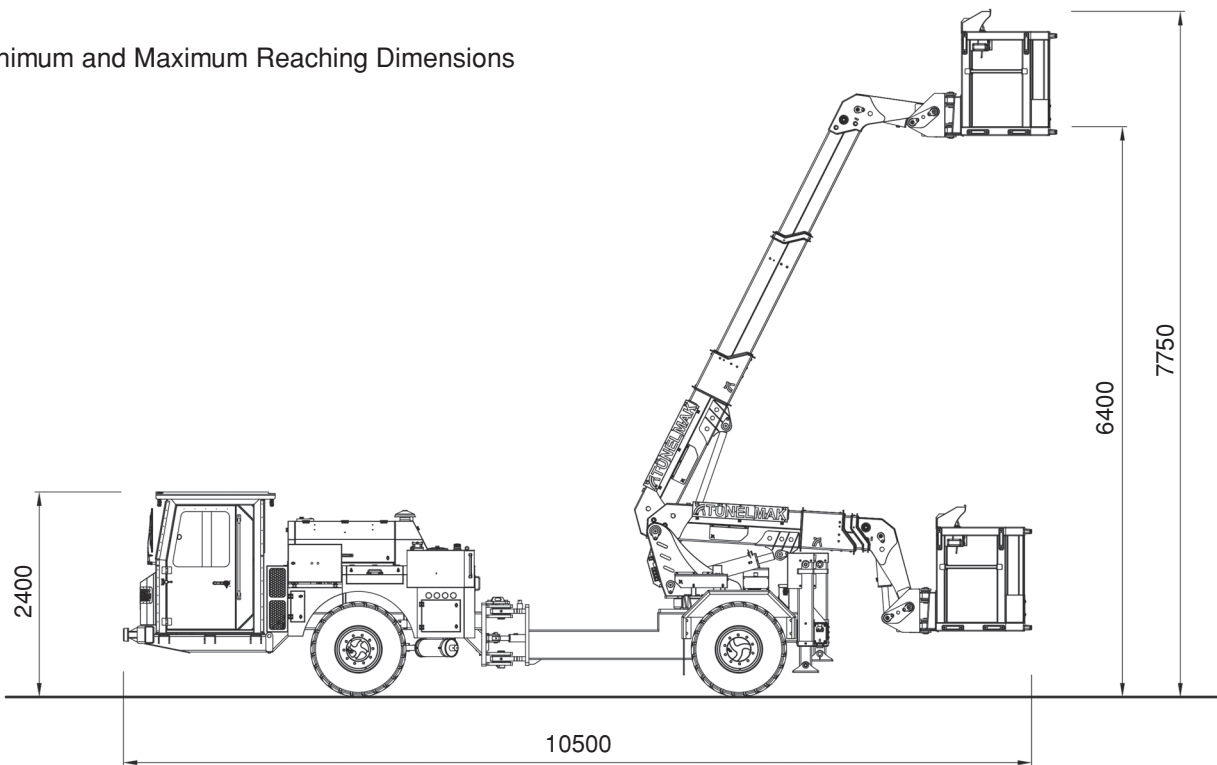
- > Side view camera
- > EU Stage 5 diesel engine
- > Diesel engine fire suppression system
- > 4m³/min onboard diesel-hydraulic compressor

Adroit 541AW 4x4 Articulated Anfo Charging Platform

Dimensions of Vehicle



Minimum and Maximum Reaching Dimensions



Turning Radius

